

Mowox® PM 5690 SHW

with engine DG 900



6 932495 608758

G.W.: 44.0 KG
N.W.: 38.8 KG

MOWOX®

PM 5690 SHW  COMFORT SERIES

CAUTION
WILD INSIDE

3in1

Mähen / Fangen
Mähen / Mulchen
Mähen / Auswerfen

XXL RÄDER MIT KUGELLAGER

XXL WHEEL WITH BALL BEARINGS

ROUES XXL AVEC ROULEMENT À BILLES

3 IN 1 FUNKTION

3 IN 1 FUNCTION

FONCTION 3 EN 1

GUMMIERTER HANDGRIFF

HANDLE WITH SOFT GRIP

POIGNÉE CAOUTCHOUTÉE



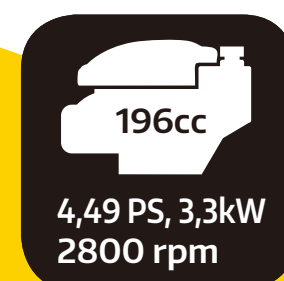
56cm

cutting width



m²

2200 m²

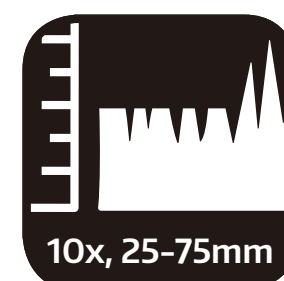


196cc

4,49 PS, 3,3kW
2800 rpm



start



10x, 25-75mm



70l

fill level
indicator



metal chassis



self drive



200/280mm



quick release



waterclean

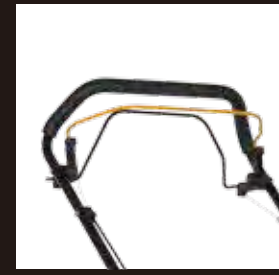


38.8kg

weight



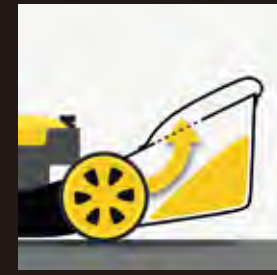
Quickly clean again:
hose connection for standard garden hoses



Lies good in the hand:
handle with soft grip



Comfortable:
central cutting height adjustment



Everything in view:
grass bag with level indicator



Practical:
quick changeover to side discharge mowing



Schnell wieder sauber:
Waschanschluss inklusive Schlauchanschluss für handelsübliche Gartenschläuche.

Gut in der Hand:
Oberholm mit Soft-Grip.

Komfortabel:
Zentrale Schnitthöhenverstellung.

Alles im Blick:
Füllstandstuch für den Füllkorb.

Praktisch:
Schnell umrüsten zum Seitenauswurfmähen.



Nettoyage rapide :
orifice de lavage, raccord de tuyau inclus pour tuyaux d'arrosage usuels.

Bien en main :
guidon supérieur avec poignée souple.

Confortable :
réglage central de la hauteur de coupe.

Tout sous contrôle :
languette de niveau de remplissage du panier collecteur.

Pratique :
changement rapide pour une tonte avec éjection latérale.

MOWOX®

PM 5690 SHW COMFORT SERIES



English

Mower housing	steel
Engine	Mowox DG900, 196cc/OHV
Capacity	3,3 kw at 2800 rpm
Self propelled	yes
Cutting width	56 cm
Cutting height adjustment	10-stage, 25-75 mm, central
Grass bag	70L textile with level indicator
For lawn areas up to	2200 m ²
Further features	with hose connection



Français

Carter de coupe	Acier
Moteur	Mowox DG900, 196cc/OHV
Puissance appr. (nominale)	3,3 kw à 2800 u/min
Propulsion	Oui
Largeur de coupe	56 cm
Réglage de la hauteur de coupe	10 niveaux, 25-75 mm, central
Panier collecteur	70L textile/indicateur de niveau de remplissage inclus
Pour des pelouses jusqu'à env.	2200 m ²
Autre	avec orifice de lavage



Italiano

Telaio	acciaio
Motore	Mowox DG900, 196cc/OHV
Potenza	3,3 kw a 2800 g/min.
Semovente	si
Larghezza di taglio	56 cm
Regolazione dell'altezza di taglio	10 posizioni, 25-75 mm, centralizzata
Capacità sacco	70 lt in tela con indicatore di livello sacco pieno
Area di taglio fino a	2200 m ²
Ulteriori caratteristiche	con connettore tubo per lavaggio



Nederlands

Maaierbehuizing	Staal
Motor	Mowox DG900, 196cc/OHV
Vermogen (ong.) (nominaal)	3,3 kW bij 2800 omw./min
Aandrijving	Ja
Maai breedte	56 cm
Maaihoogte	10-traps, 25-75 mm, centraal
Opvangbak	70l. textiel / incl. niveau-indicator
Voor gazons tot ong.	2200 m ²
Overige	met wasaansluiting



Čeština

kryt žacího ústrojí	ocel
motor	Mowox DG900, 196cm ³ /OHV
výkon cca (jmen.)	3,3 kw při 2800 ot./min.
pohon	ano
šířka záběru	56 cm
nastavení výšky sečení	10stupňová, 25-75 mm, centrálně nastavitelná
sběrný koš	70l textil/vč. ukazatele stavu naplnění
na trávníkové plochy do cca	2200 m ²
ostatní	s přípojkou na mytí



Magyar

Fűnyíróház	Acél
Motor	Mowox DG900, 196cc/OHV
Kb. teljesítmény (névleges)	3,3 kw 2800 ford/perc fordulatnál
Hajtás	Igen
Vágásmagasság-állítás	56 cm
Vágásmagasság-állítás	10 fokozatú, 25-75 mm, központi
Gyűjtőkosár	70l szövet/töltöttségjelzővel
Fűterület mérete legfeljebb Kb.	2200 m ²
Egyéb	mosás csatlakozóval



Deutsch

Mähgehäuse	Stahl
Motor	Mowox DG900, 196cc/OHV
ca. Leistung (Nenn)	3,3 kw bei 2800 u/min
Antrieb	Ja
Schnittbreite	56 cm
Schnitthöhenverstellung	10 stufig, 25-75 mm, zentral
Fangkorb	70 L Textil/incl. Füllstandsanzeige
Für Rasenflächen bis ca.	2200 m ²
Sonstiges	mit Waschanschluss



Español

Carcasa de la cortadora	Acero
Motor	Mowox DG900, 196cc/OHV
Potencia aprox. (nominal)	3,3 kW con 2800 r. p. m.
Accionamiento	Si
Ancho de corte	56 cm
Ajuste de altura de corte	10 niveles, 25-75 mm, centralizado
Cesta colectora	70l, tela/incl. indicador de llenado
Para superficies de césped de aprox.	2200 m ²
Otros	Con conexión de lavado



Português

Alojamento do corta-relvas	Aço
Motor	Mowox DG900, 196cc/OHV
Potência aprox. (nominal)	3,3 kw a 2800 rpm
Sistema de propulsão	Sim
Largura de corte	56 cm
Ajuste da altura de corte	10 níveis, 25-75 mm, central
Cesto de recolha	70L têxtil/incl. Indicação do nível de enchimento
Para superfícies relvadas até aprox.	2200 m ²
Outro	com ligação para lavagem



Polski

Obudowa kosiarki	Stal
Silnik	Mowox DG900, 196cc/OHV
Moc w przybliżeniu (znamion.)	3,3 kW przy 2800 1/min
Napęd	Tak
Szerokość cięcia	56 cm
Regulacja wysokości cięcia	10-stopniowa, 25-75 mm, centralna
Kosz	70l tkanina/wraz ze wskaźnikiem stanu napełnienia
Do powierzchni trawiastych do ok.	2200 m ²
Pozostałe	z przyłączem do mycia



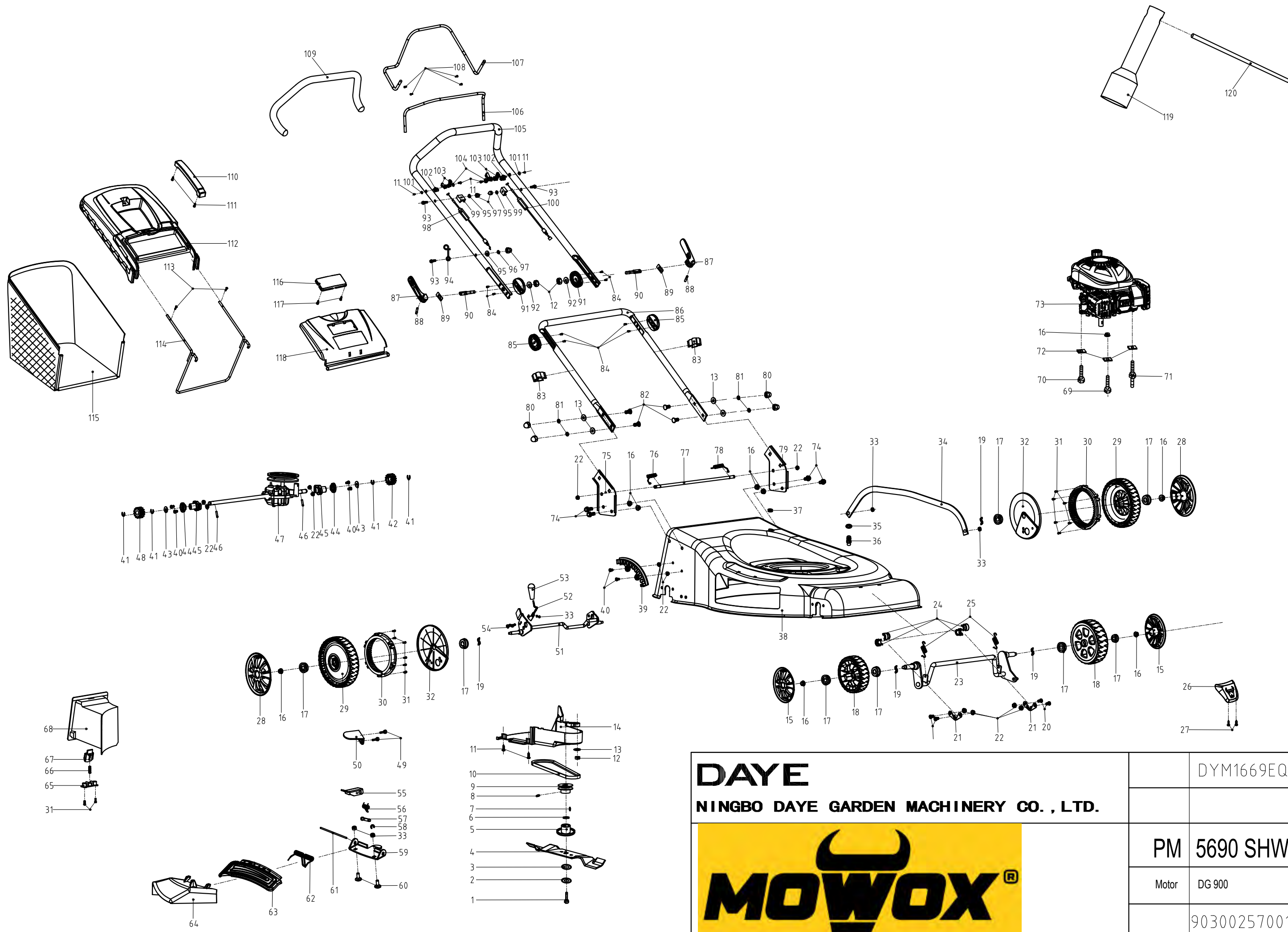
Slovenčina

kryt žacieho ústrojenstva	ocel
motor	Mowox DG900, 196cm ³ /OHV
výkon cca (men.)	3,3 kW pri 2800 ot./min
pohon	áno
šířka záběru	56 cm
nastavenie výšky kosenia	10-stupňová, 25 - 75 mm, centrálnie nastavitelná
zberný koš	70l textil/vr. ukazovateľa stavu naplnenia
na trávníkové plochy do cca	2200 m ²
ostatné	s prípojkou na umývanie



Română

Carcasă cositoare	Oțel
Motor	Mowox DG900, 196cm ³ /OHV
Putere aprox. (nom.)	3,3 kw la 2800 rot./min
Motor	Da
Lățime de tăiere	56 cm
Ajustare înălțime de tăiere	cu 10 trepte, 25-75 mm, central
Coș de colectare	70 L din textil/incl. indicator nivel de umplere
Pentru suprafețe de cosit până la aprox. Altele	2200 m ² cu racord pentru spălare



DAYE
 NINGBO DAYE GARDEN MACHINERY CO., LTD.



DYM1669EQ

PM 5690 SHW

Motor DG 900

90300257001

Mowox® PM 5690 SHW (DYM1669EQ) parts list customer.xlsx

in sketch	part number	other number of same part	part description	Qty
1	2105300159A	26800606201	blade locking bolt	1
2	2105300001C	26300107302	dish washer	1
3	2105200245A	2105200367A	friction blade support pressure plate	1
4	21052003412000A	2105200257A	blade	1
5	2105200251A		- stamping blade holder	1
6	2105400024A		- liner	1
7	2103900034A		- half round key	1
8	3022305001	26800300502	hexagonal flat set screw	1
9	21031003390082A		- driving pulley	1
10	2102600020A	2102600020N	triangle belt	1
11	3011301006		- self-tapping screw	6
12	3031309002		- hexagon flange bolt	3
13	3051303001		- flat washer	5
14	21041001720001C	25248200103	pully protective cover	1
15	21011000560103B	25205001101	8" wheel cover	2
16	30323060035000	26800502801	metal hexagon flange locking nut	9
17	2101300065A	26800401601	augular bearing	8
18	21011002660001A	21011002443208C	wheel assembly	2
19	A26800706202	26800706202	wave washer	4
20	3021302003		- tooth screw	4
21	2106200128A	26300124401	fix ring	2
22	30323060015000	3032306001	nut	12
23	2101500175A	26300308501	front axle assembly	1
24	21091000633201A		- Wheel shaft sleeve	4
25	2109800067A	26801113101	spring	2
26	21031002344079A		- engine covere assembly	1
27	3011301012	26800105402	self-tapping screw	2
28	21011000620103N	25208601001	11" wheel cover	1
29	21011002650001A	25400204502	wheel assembly	1

Mowox® PM 5690 SHW (DYM1669EQ) parts list customer.xlsx

in sketch	part number	other number of same part	part description	Qty
30	2101100081B	25229500101	wheel gear ring	1
31	3011301010		- self-tapping screw	14
32	21011003730001F	25208700105	11" inner wheel cover	1
33	30313090035000	A26800500501	hexagon flange bolt	6
34	2106200788B	26300310201	connection rod	1
35	2109100013N	25100135101	O ring	1
36	21031000230176D	21031000230001D	cleaning connector	1
37	2106600013A	25100181601	cable protect cover	1
38	21032002490001A		- deck assembly	1
39	21061001694017B	23100105302	height adjusting board	1
40	30213020045000	26800202001	tooth screw	6
41	3043301001		- opening washer	4
42	2104400013E	26900300102	left output gear assembly	1
43	A26800705102	26800705102	washer	2
44	21011004410001A		- supporting bracket	2
45	21011004420120B		- rear axle cover	2
46	3082301003		- cylindrical pin	2
47	2102300077C	2102300077A	gearbox assembly	1
48	2104400014E	26900300203	right output gear assembly	1
49	30913050015000	A26800611201	hexagon flange bolt	2
50	2102200052A	26300323701	locating board	1
51	2101300246A		- rear axle assembly	1
52	2106201208A		- adjusting handle assembly	1
53	21021000010001A	25500103201	adjusting handle cover	1
54	A26800203001A	26800203001	screw	2
55	2103200240A		- lockC	1
56	2103800011A		- spring	1
57	2103300040A		- lock fixed shaft	1
58	3043301003		- opening washer	1

Mowox® PM 5690 SHW (DYM1669EQ) parts list customer.xlsx

in sketch	part number	other number of same part	part description	Qty
59	2103200239A		- side discharge fixed	1
60	30913090035000	A26800607201	semicircular neck bolt	2
61	2101300014A	26200101101	axis	1
62	2109800035A	26801105201	spring	1
63	21061004273208C		- side discharge cover	1
64	21041000780001N	25209600301	side discharge protect cover	1
65	21041001160001A	25231700101	Lock button press board	1
66	2109800022C	26801100501	spring	1
67	21041001150001A	25231600401	Plug-in lock button	1
68	21061006910001A	21061003740001N	plugin	1
69	30913040145000	A26800612801	bolt	1
70	3091304007		- bolt	1
71	2109300055A		- bolt	1
72	2103300032A		- washer	3
73	60400116901		- engine 196CC	1
74	30913070165000	26800606401	hexagon flange bolt	4
75	21062009810001A	21062002920001B	right handle bracket	1
76	2106800006B	26801112701	spring	1
77	2106300038A	2106300031B	long rod	1
78	2106800007A	26801112601	spring	1
79	21062009800001A	21062002900001B	left handle bracket	1
80	3033302001		- cap nut	4
81	3052301002		- spring washer	4
82	30913090015000	A26800601903	semicircular neck bolt	4
83	21061000013201A	25261100102A	cable clamp	2
84	2109300058A		- self-tapping screw	8
85	21061003883201N	25205500104	lower gear	2
86	21062002970001B	23600173701	lower handle	1
87	21061006503201A		- locking handle bolt	2

Mowox® PM 5690 SHW (DYM1669EQ) parts list customer.xlsx

in sketch	part number	other number of same part	part description	Qty
88	21093000635007A		- cylindrical pin	2
89	2109200025A	26300111901	compression plate	2
90	2109300026A	26300130101	locking handle bolt	2
91	21061003843206D	25205400104	upper gear	2
92	21092000295007B	2109200058A	washer	2
93	3091307003	26800607701	bolt	3
94	21063000025007A		- cable hook	1
95	3051303003		- flat washer	3
96	3052301003	A26800800303	spring washer	1
97	A26800501603A	26800501603	cap nut	3
98	2106800784A		- flameout cable assembly	1
99	21061000043201A	25233600102	cable fixed block	2
100	2106800785A		- driving cable assembly	1
101	21061001113201N	25239100202	wave washer	2
102	21061007140001A		- Pull rod bracket	2
103	21061007150001A	21061001080001A	self-propelled cable hang	4
104	21061007290001A		- Pull rod bracket cover	2
105	21063004630001A		- upper handle	1
106	21063004640104A		- flameout rod	1
107	21063004650001A		- driving rod	1
108	A26800203301	26800203301	tooth screw	4
109	2106100317A	2106600017N	handle sheath	1
110	21071000330001A	25238400101	grass basket handle	1
111	3011301004		- self-tapping screw	2
112	21071000340001A	25240900101	grass basket	1
113	3011301005		- self-tapping screw	2
114	2107200025B	26300138201	grass catcher bracket	1
115	21077000482133A		- grass catcher	1
116	2104100134C	25238500103	Rear cover transparent window	1

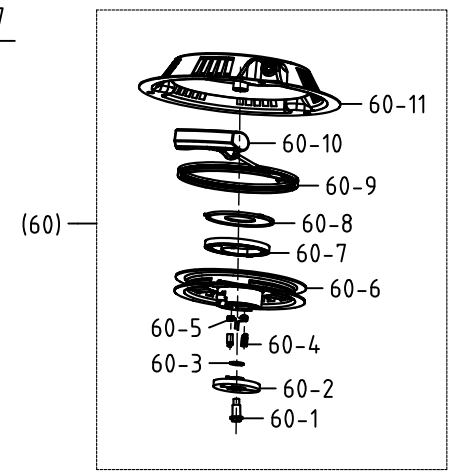
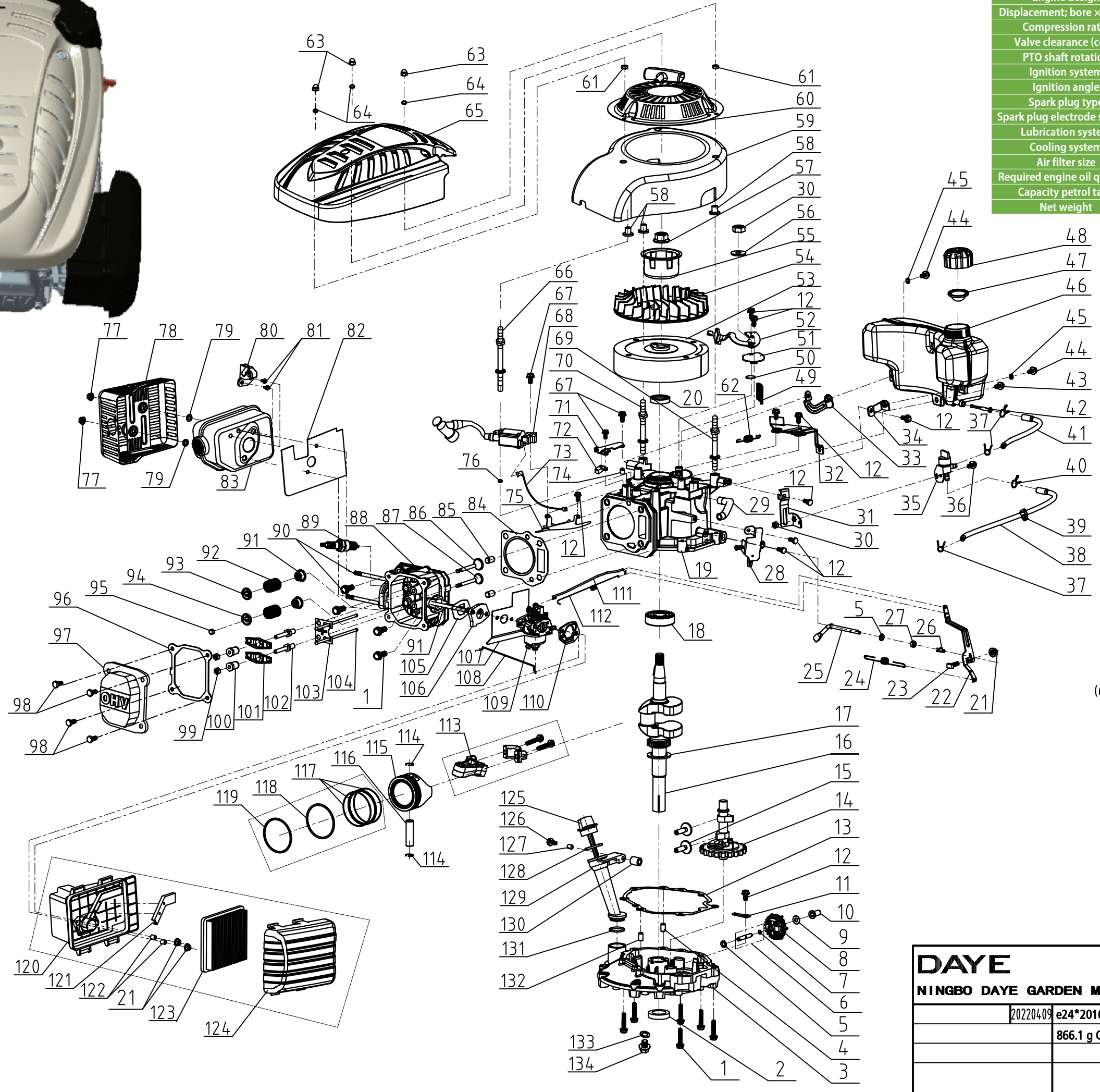


Mowox® PM 5690 SHW (DYM1669EQ) parts list customer.xlsx

in sketch	part number	other number of same part	part description	Qty
117	A26800107101	26800107101	self-tapping screw	2
118	2100X00606	23000461301	rear cover assembly	1
119	2012100004A	26300107901	socket wrench spanner	1
120	2012200002A	26300107801	socket wrench	1



Engine design	4-stroke engine, overhead valve, 1 cylinder
Displacement; bore x stroke	196 cm ³ ; 70 x 51 mm
Compression ratio	8.8:1
Valve clearance (cold)	0.15 - 0.25 mm
PTO shaft rotation	clockwise
Ignition system	Transistor ignition
Ignition angle	26.5° ± 2°
Spark plug type	F7RTC
Spark plug electrode spacing	0.6 - 0.8 mm
Lubrication system	Immersion lubrication
Cooling system	Forced air cooling
Air filter size	430 x 375 x 350 mm
Required engine oil quantity	0.55 l
Capacity petrol tank	1.8 l
Net weight	13.8 kg



DAYE		DG 900	
NINGBO DAYE GARDEN MACHINERY CO., LTD.		(DYM1P70FB-1)	
20220409	e24*2016/1628*2021/1398SYA1/P*0545*00		
866.1 g CO ₂ /kWh	G1	1:1	
		A2	
			90400101301



in sketch	part number	other number of same part	part description	weight/ g	Qty
1	20313000995000A		- Hexagon head flange bolts		10
2	2031600018N	25100129601	Skeleton oil seal		1
3	2031400090A		- box cover		1
4	2031400010B	2105200262A	Positioning pin		1
5	A26800702101	26800702101	washer		2
6	2032300097A		- speed gear shaft		1
7	A26800900701	26800900701	Wire retaining ring for shaft		1
8	2032100006A	A26800300502	Speed regulating gear assembly		1
9	A26800703201	26800703201	Flat gasket 6		1
10	2032100007A		- Sliding sleeve		1
11	2033200012B	26300205101	Pressure plate		1
12	3091307005	A26800700502	Hexagon head flange face bolts-enlarged series		10
13	2032600002A		- Box sealing gasket		1
14	2032100024A		- Camshaft assembly		1
15	2033300027A		- tappet		2
16	2032400051A		- crankshaft assembly		1
17	2032200003A	26800703102	Gasket		1
18	A26800400202	26800400202	Rolling bearing 6205		1
19	2032400052A	26800502801	cabinet		1
20	2031600016N	25100123602	Oil seal		1
21	3032302002		- Hexagonal flange nut		3
22	2031300060C		- Speed regulating rocker arm		1
23	2031300012A	26800301101	Speed regulating screw		1
24	2031800001A		- Speed regulating tension spring		1
25	2032200018A		- Speed control lever		1
26	2031200007A	26900103401	elastic cotter pin		1
27	2031600007	25100123501	Oil seal		1
28	2039900042A		- Speed regulating mechanism assembly		1
29	2031600001B	26800105402	snorkel		1
30	30313090035000	21011001750103N	Hexagonal lock nut		2
31	2035100100A	26300211901	switch bracket		1
32	2035200006A		- Fuel tank bracket		1
33	2035200014A	26300212101	Right fuel tank bracket		1
34	2035200015A	26300212201	Left fuel tank bracket		1
35	2030X00493	A26800500501	switch assembly		1
36	A26800201801	26800201801	Machine screws		1
37	2035200035A	26900108001	Oil pipe clamp B		3
38	2035600014A	25100130101	Oil inlet pipe 1		1
39	2035200012A	26300206401	Oil pipe clamp		1
40	2035200034A	26900107901	Oil pipe clamp A		1
41	2035600015A	25100130401	Oil inlet pipe 2		1
42	2035100016A		- fuel filter		1
43	30913070105000	26800202001	Hexagonal flange bolts		1



in sketch	part number	other number of same part	part description	weight/ g	Qty
44	2921900226A		- step bolts		2
45	2039600006A		- Shock absorbing rubber pad		2
46	2035100091B	25800100303	Fuel tank body (DYM1P70-07)		1
47	2035600001B	25100124501	Fuel tank cap gasket		1
48	20351000583201N	25100128106	Fuel tank cap (DYM1P70-15)		1
49	2031300075A	26900102001	filter		1
50	2031600019A	25100129701	Respirator valve		1
51	2031200033A		- Respirator seal		1
52	2039200002A		- Rocker arm assembly		1
53	2038400002A		- Cast iron flywheel assembly		1
54	2032100003A	25357200101	Fan(DYM1P65FA-04)		1
55	2032200002B	26900106801	Passive disk		1
56	A26800700301	26800700301	Large washer		1
57	3032303002		- Hexagonal flange nut M14*1.5		1
58	2034300002A		- Air guide cover insert		3
59	20391000070001A		- Air guide cover (DYM1P70-01)		1
60	2030000016	23052002801	starter assembly		1
60-1	2033300003A	26800611001	starter bolt		1
60-2	20331000030001B	25235500102	Pressure plate (DYM1P70-17) (DYM1P70-17-2)		1
60-3	2033200002D	26809003302	circlip		1
60-4	2033300004A	26300220802	Dial claw		2
60-5	2033300002A	26801110801	Compression spring		2
60-6	20331000023201C	25235400102	Starting wheel (DYM1P70-16)		1
60-7	2033300005B	26801120601	return spring		1
60-8	20331000040001A	25235600101	Pressure plate (DYM1P70-18)		1
60-9	2032800001A	29001001101	drawstring		1
60-10	20331000010001B	25234300101	Handle (DYM1P56FA-06-2)		1
60-11	2033200017A	26300220902	starter cover		1
61	3031306003		- Hex nuts		2
62	2033800001A		- brake tension spring		1
63	2034300001A		- cap nut		3
64	2109900044A		- Flat Washers		3
65	20341000120168A	23600305501	outer cover		1
66	2031300103A		- Stud A		1
67	3091307002		- Hexagon head flange bolt M6*25		3
68	2038900013B	23062000801	Ignition assembly		1
69	A26800617701	26800617701	Stud B		1
70	2031300104A		- Stud C		1
71	2033200009A		- brake base plate		1
72	2038800010B	23058000202	flameout switch assembly		1
73	2038900009A		- Flameout wire assembly		1
74	A26800702301	26800702301	cushion cover		1
75	2039200005A		- windshield		1



in sketch	part number	other number of same part	part description	weight/ g	Qty
76	2038200001A		- Washer ϕ 12x ϕ 6.2x2.5		1
77	3032306001	A26800502401	All metal hex flange face lock nut M6		2
78	2037500011A	23060000501	Muffler cover assembly		1
79	2037900010A	25100130601	Muffler insulation pad		2
80	2037300006A		- Thermostat assembly		1
81	3091304003		- Hexagon head bolts		2
82	2037900008A		- Muffler gasket		1
83	2037200035A		- muffler assembly		1
84	2031600047A	25600100701	Cylinder head gasket		1
85	2031400011B	26809001501	Positioning pin		2
86	2036300017C	26300213102	Intake valve		1
87	2037300012B	26300213202	exhaust valve		1
88	2032400054A		- cylinder head		1
89	2038900015B	23062001301	spark plug		1
90	A26800605601	26800605601	studs		4
91	2032600005A		- Valve seal		2
92	2036800013A	26801109801	valve spring		2
93	2036300040A		- Intake valve spring seat		1
94	2037300008A		- Exhaust valve spring seat		1
95	2036300042A		- top hat		1
96	2031600003B	25100123701	Cylinder head cover gasket		1
97	2031200001A	26300207001	cylinder head cover		1
98	3091307001	A26800608001	Hexagon head flange bolt M6*16		4
99	2031300003C	26800502601	Tighten the nuts		2
100	2031200002D	26800502501	Adjustment nut		2
101	2036200004A		- valve rocker arm		2
102	2031300002C	26800605401	Adjustment bolt		2
103	2036200031A	26300213501	Push rod guide plate		1
104	2032300129A		- Push rod assembly		2
105	2036900026A		- Intake pipe and cylinder head gasket		1
106	2036100011B	25100121201	Intake pipe		1
107	2036900036A		- Intake pipe and carburetor gasket		1
108	2035800004A		- choke push rod		1
109	2036400005A		- carburetor assembly		1
110	2036600022C	25600100301	Air filter gasket		1
111	2036800003A		- Throttle lever		1
112	2035800012A	26801106601	Throttle tension spring		1
113	2032400053A		- Connecting rod assembly		1
114	2032300096A		- Piston pin circlip		2
115	2032400007A		- piston		1
116	2032300095A		- Piston pin		1
117	2032400032A		- Oil ring combination		1
118	2032400031A		- Second Ring Road		1



in sketch	part number	other number of same part	part description	weight/ g	Qty
119	2032400030A	-	one ring		1
120	20361000460001A	-	Air filter base (DG600Li-11)		1
121	20361000170001A	25100129001	Air filter inner cover (DYM1P70-05)		1
122	2036400002A	26300211501	Air filter seat insert		2
123	2036900014B	25100131601	Filter element assembly		1
124	20361000150001B	25100128502	Air filter upper cover (DYM1P70-04)		1
125	20351000790031C	25236000101	Oil dipstick (DYM1P70-14)		1
126	A26800608201	26800608201	Hexagon head flange bolts		1
127	2032400001A	26900103201	Spacer 1		1
128	2039600017N	25100134501	O-ring		1
129	20351000813201N	25236100102	Oil dipstick holder (DYM1P70-13)		1
130	20351000690001A	25100202201	Spacer (DYM1P70-19)		1
131	2031600010	25100123202	O-ring		1
132	2031400066A	-	Positioning pin		1
133	2031300007A	26300225901	Oil drain plug gasket		1
134	2031300006A	26300205601	Oil drain plug		1