



PM 4030 P

G.W.: 18 KG
N.W.: 16 KG



6 932495 608963



MOWOX®

PM 4030 P CLASSIC SERIES



CAUTION
WILD INSIDE



ZENTRALE HÖHENVERSTELLUNG

CENTRAL HEIGHT ADJUSTMENT

RÉGLAGE CENTRAL DE LA HAUTEUR

GEWEBESACK MIT FÜLLSTANDSANZEIGE

GRASS BAG WITH LEVEL INDICATOR

SAC EN TEXTILE AVEC AFFICHAGE
DU NIVEAU DE REMPLISSAGE

KOMPAKT UND LEICHT

COMPACT AND LIGHTWEIGHT

COMPACTE ET LÉGÈRE



cutting width



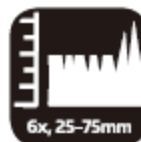
800 m²



79.8cc
1,63 PS, 1,2kW
3000 rpm



start



6x, 25-75mm



50l
fill level
indicator



plastic chassis



150/180mm



edge cutting



16kg
weight



Comfortable:
Central cutting height adjustment



Everything in view:
Grass bag with level indicator



Vertical storage:
For space-saving storage and easy cleaning.



Komfortabel:
Zentrale Schnitthöhenverstellung.

Alles im Blick:
Fußstandstuch für den Füllkorb.

Vertikale Lagerung:
Zur platzsparenden Aufbewahrung und einfachen Reinigung.



Comfortable:
réglage central de la hauteur de coupe.

Tout sous contrôle:
languette de niveau de remplissage du panier collecteur.

Stockage vertical:
Pour un rangement peu encombrant et un nettoyage facile.



MOWOX®

PM 4030 P CLASSIC SERIES



English

Mower housing	plastic
Engine	Mowox DG300, 79,8cc/OH-V
Capacity	1,2 kw at 3000 rpm
Self propelled	-
Cutting width	40 cm
Cutting height adjustment	6-stage, 25-75 mm, central
Grass bag	50 L textile with level indicator
For lawn areas up to	800 m ²
Further features	Ergonomically handle



Français

Carter de coupe	Matière plastique
Moteur	Mowox DG300, 79,8cc/OH-V
Puissance appr. (nominale)	1,2 kw à 3000 u/min
Propulsion	-
Largeur de coupe	40 cm
Réglage de la hauteur de coupe	6 niveaux, 25-75 mm, central
Panier collecteur	50 L textile/indicateur de niveau de remplissage inclus
Pour des pelouses jusqu'à env.	800 m ²
Autre	Avec poignée ergonomique



Italiano

Telaio	termoplastica
Motore	Mowox DG300, 79,8cc/OH-V
Potenza	1,2 kw a 3000 g/min.
Semovente	-
Larghezza di taglio	40 cm
Regolazione dell'altezza di taglio	6 posizioni, 25-75 mm, centralizzata
Capacità sacco	50 lt in tela con indicatore di livello sacco pieno
Area di taglio fino a	800 m ²
Ulteriori caratteristiche	Con impugnatura ergonomica



Nederlands

Maalerbehuizing	Kunststof
Motor	Mowox DG300, 79,8cc/OH-V
Vermogen (ong.) (nominale)	1,2 kW bij 3000 omw./min
Aandrijving	-
Maalbreedte	40 cm
Maalhoogte	6-traps, 25-75 mm, centraal
Opvangbak	50 l. textiel / incl. niveau-indicator
Voor gazons tot ong.	800 m ²
Overige	Met ergonomisch handvat



Česky

kryt žacího ústrojí	plast
motor	Mowox DG300, 79,8cm ³ /OH-V
výkon cca (jmen.)	1,2 kw při 3000 ot./min.
pohon	-
šířka záběru	40 cm
nastavení výšky sečení	6 stupňová, 25-75 mm, centrálně nastavitelná
sběrný koš	50 l textil/vč. ukazatele stavu naplnění
na trávníkové plochy do cca	800 m ²
ostatní	5 ergonomickou rukojetí



Magyar

Fűnyírőház	Műanyag
Motor	Mowox DG300, 79,8cc/OH-V
Kb. teljesítmény (névleges)	1,2 kw 3000 ford/perc fordulatonál
Hajtás	-
Vágásmagasság	40 cm
Vágásmagasság-állítás	6 fokozatú, 25-75 mm, központi
Cyűjtőkosár	50 l szövet/töltöttségjelzővel
Fűterület mérete legfeljebb Kb.	800 m ²
Egyéb	Ergonomikus fogantyúval



Deutsch

Mähgehäuse	Kunststoff
Motor	Mowox DG300, 79,8cc/OH-V
ca. Leistung (Nenn)	1,2 kw bei 3000 u/min
Antrieb	-
Schnittbreite	40 cm
Schnitthöhenverstellung	6 stufig, 25-75 mm, zentral
Fangkorb	50 L Textil/inkl. Füllstandsanzeige
Für Rasenflächen bis ca.	800 m ²
Sonstiges	Mit ergonomischem Griff



Español

Carcasa de la cortadora	Plástico
Motor	Mowox DG300, 79,8cc/OH-V
Potencia aprox. (nominal)	1,2 kW con 3000 r. p. m.
Accionamiento	-
Ancho de corte	40 cm
Ajuste de altura de corte	6 niveles, 25-75 mm, centralizado
Cesta colectora	50 l textil/indicador de llenado
Para superficies de césped de aprox.	800 m ²
Otros	Con mango ergonómico



Português

Abjamento do corta-relvas	Plástico
Motor	Mowox DG300, 79,8cc/OH-V
Potência aprox. (nominal)	1,2 kw a 3000 rpm
Sistema de propulsão	-
Largura de corte	40 cm
Ajuste da altura de corte	6 níveis, 25-75 mm, central
Cesto de recolha	50 L têxtil/indicador do nível de enchimento
Para superfícies relvadas até aprox.	800 m ²
Outro	Com pega ergonómica



Polski

Obudowa kosiarzki	Tworzywo sztuczne
Silnik	Mowox DG300, 79,8cc/OH-V
Moc w przybliżeniu (znamion.)	1,2 kW przy 3000 1/min
Napęd	-
Szerokość cięcia	40 cm
Regulacja wysokości cięcia	6-stopniowa, 25-75 mm, centralna
Kosz	50 l tkanina/wraz ze wskaźnikiem stanu napełnienia
Do powierzchni trawiastych do ok.	800 m ²
Pozostale	Z ergonomicznym uchwytem



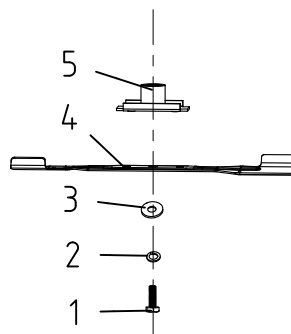
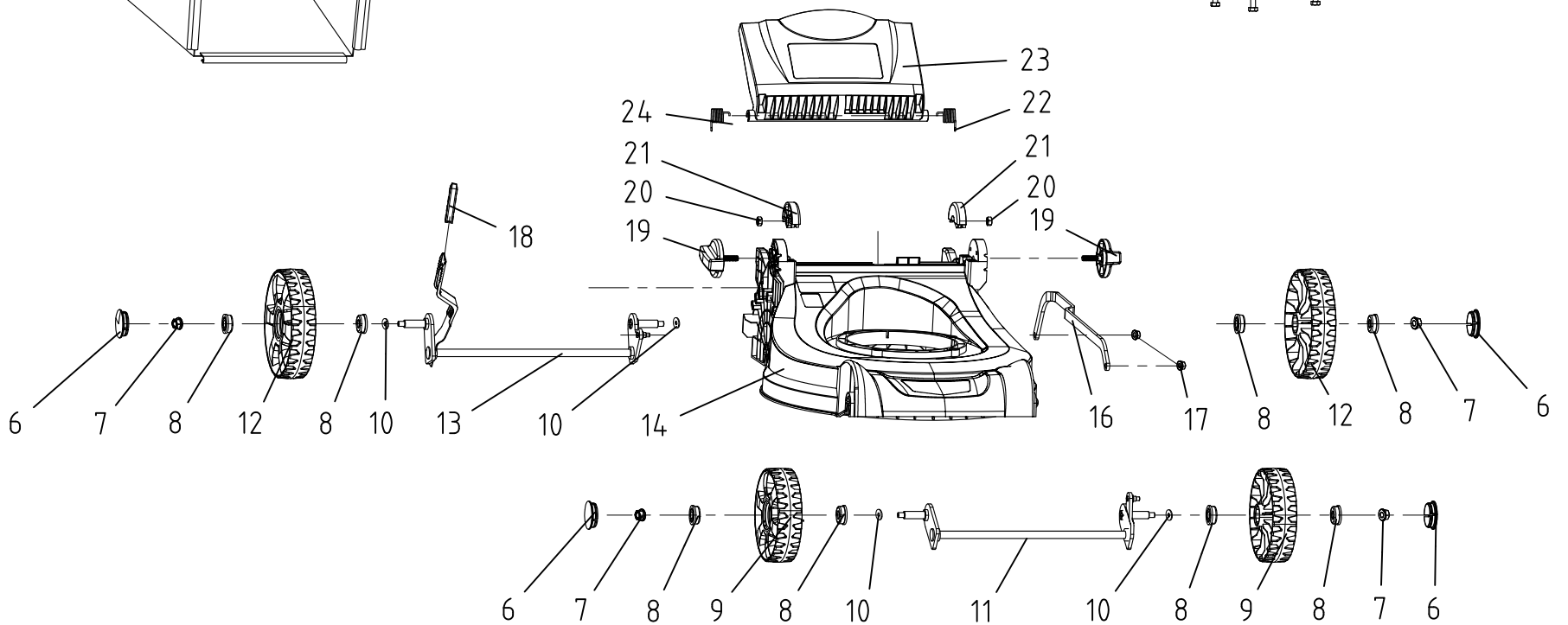
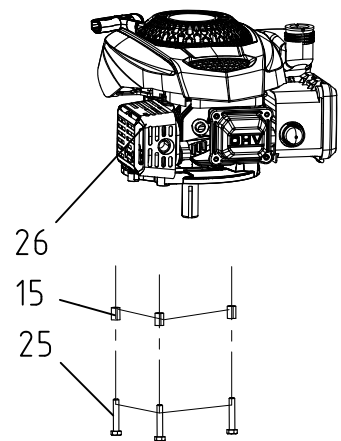
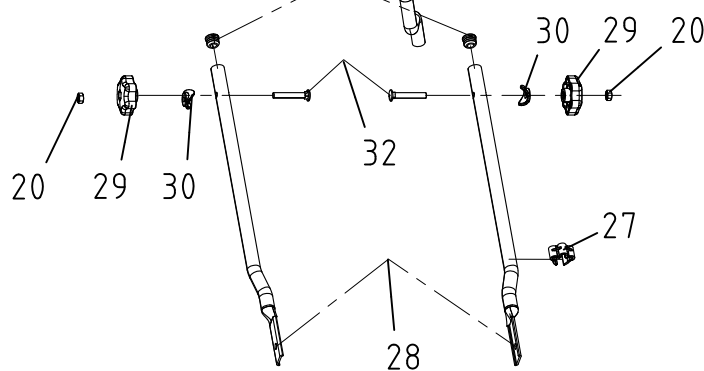
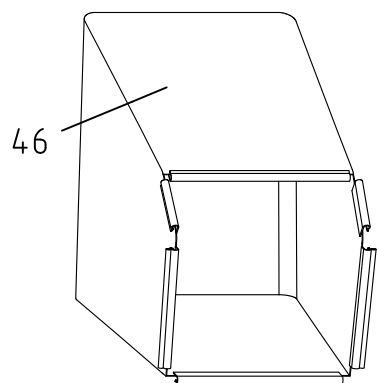
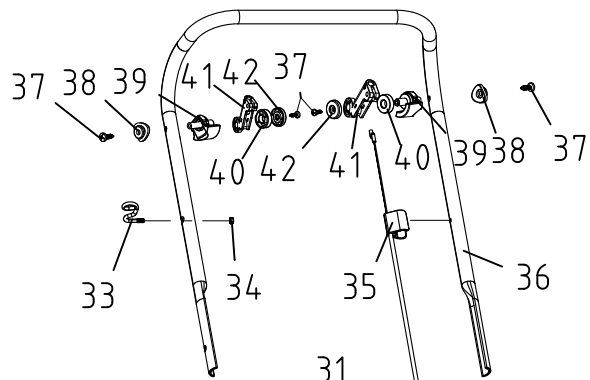
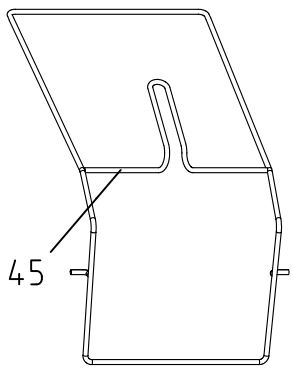
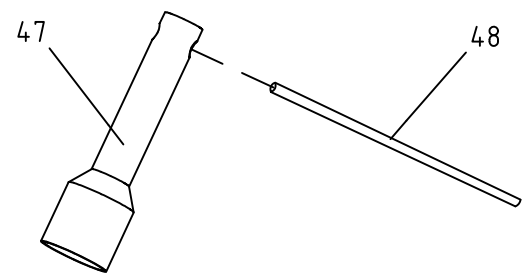
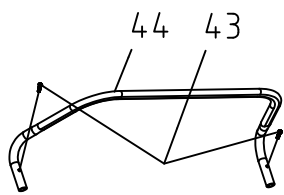
Slovenčina

kryt žacieho ústrojenstva	plast
motor	Mowox DG300, 79,8cm ³ /OH-V
výkon cca (jmen.)	1,2 kW pri 3000 ot./min
pohon	-
širka záberu	40 cm
nastavenie výšky kosenia	6-stupňová, 25-75 mm, centrálna nastavitelná
zberný kôš	50 l textil/vr. ukazovateľa stavu naplnenia
na trávnikové plochy do cca	800 m ²
ostatné	Z ergonomickým ročajem



Românesc

Carcasă cositoare	Mat. plastic
Motor	Mowox DG300, 79,8cc/OH-V
Putere aprox. (nom.)	1,2 kw la 3000 rot./min
Motor	-
Lățime de tăiere	40 cm
Ajustare înălțime de tăiere	cu 6 trepte, 25-75 mm, central
Coș de colectare	50 L din textil/indic. nivel de umplere
Pentru suprafețe de câștig până la aprox.	800 m ²
Altele	Cu mâner ergonomic



DAYE

NINGBO DAYE GARDEN MACHINERY CO LTD

DYM161702

2022.07.18



PM 4030 P

Motor

DG 300

(DYM1P52FX)

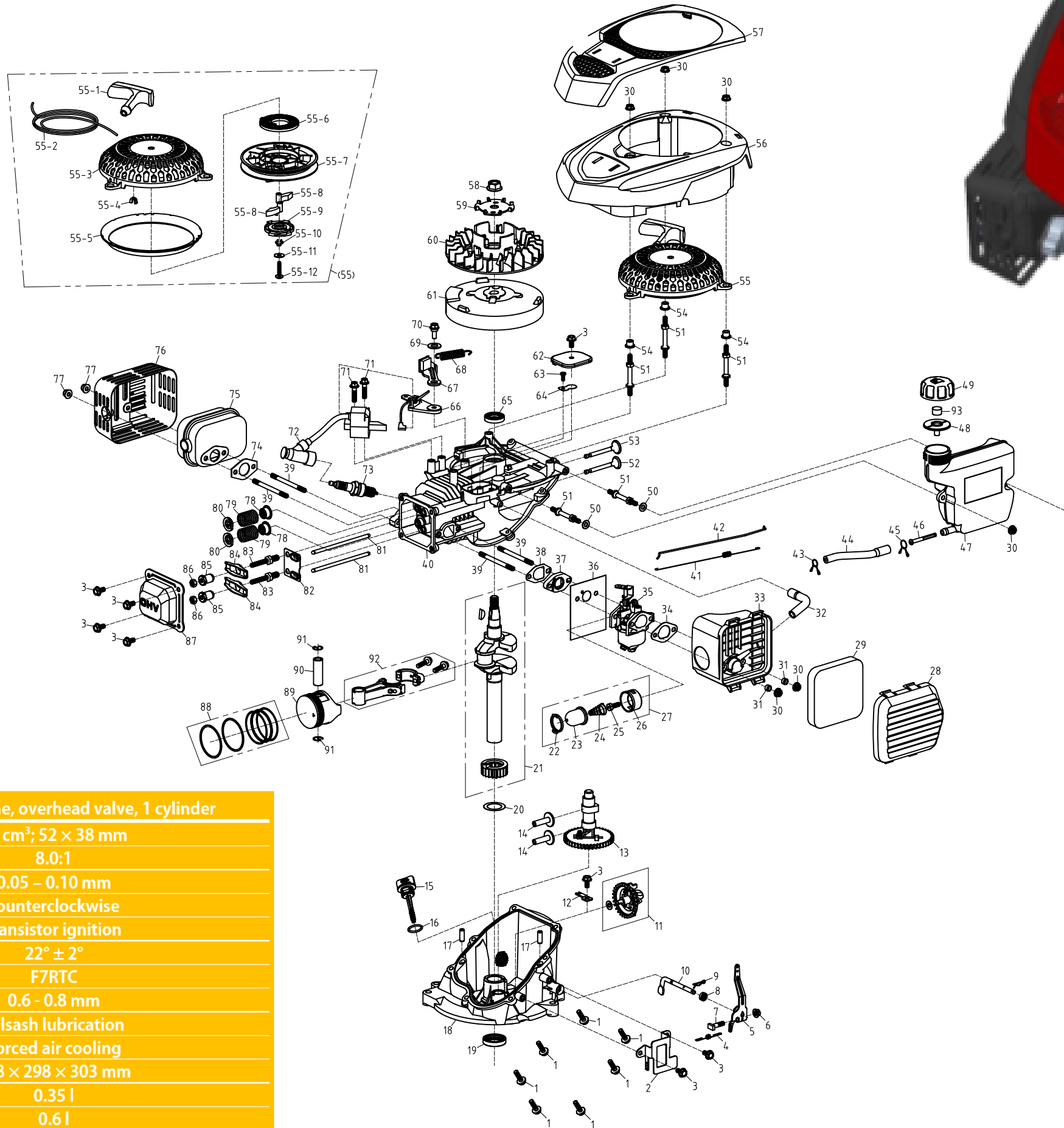


in sketch	part number	other number of same part	part description	Qty
1	2105300161A		- blade fastening bolt	1
2	A26800800101	26800800101	spring washer	1
3	A26800700601	26800700601	flat washer	1
4	21053001362000A		- blades	1
5	2105300155A		- blade holder	1
6	21011001380103A	25264400501	wheelcap	4
7	30323060035000	26800502801	hexagonal flange face lock nut	4
8	2101300065A	26800401601	angular bearing	8
9	21011001360001B	25264200102	wheel	2
10	A26800703601A	26800703601	wave washer	4
11	2101300173A		- front axle assembly	1
12	21011001370001B	25264300102	wheel	2
13	2101300174A		- rear axle assembly	1
14	21031003540001A		- deck	1
15	2103300165A		- chassis bushing	3
16	2106201187A		- connecting rod	1
17	30313090035000	A26800500501	hexagonal locknut	2
18	21066000370001A		- height adjustment handle cover	1
19	21061001970001A	25297400201	knob	2
20	30313060025000		- hexagonal nut	4
21	21031003550001A		- handrail fixing block	2
22	2103800036A		- left-handed torsion springs	1
23	21031003800001A		- back cover	1
24	2103800037A		- right-handed torsion springs	1
25	2103300250A		- triangular self-tapping screws	3
26	60400115901		- gasoline engine	1
27	21061000123201A	25227700102	cord clip	1
28	21062006390001A	23600173802	lower handrail	2
29	21061000020001B	25236500501	lower armrest knob	2
30	21061000113201A		- curved shims	2
31	2106600001A		- pipe plug	2
32	A26800613001		- flat head bolts	2
33	2106300288A		- hook for hanging threads	1
34	3031309009		- hexagonal locknut M5	1
35	2106800789A		- stall cable assembly	1
36	21063004360001A		- upper handrail	1



in sketch	part number	other number of same part	part description	Qty
37	3011301006		- self-tapping screw	4
38	21061001113201N	25239100202	curved shims	2
39	21061007140001A		- tie rod bracket	2
40	21061007300001A		- tie rod bracket washers	2
41	21061007150001A	21061001080001A	self-propelled lanyard block	2
42	21061007290001A		- tie rod holder cover	2
43	A26800203301	26800203301	machine threaded screw	2
44	21062012120104A		- kill switch lever	1
45	2107200117A		- grass bag holder	1
46	21077001512219A		- grass bag	1
47	2012200002A	26300107801	socket wrench	1
48	2012100004A	26300107901	socket wrench lever	1

DG300



Engine design	4-stroke engine, overhead valve, 1 cylinder
Displacement; bore × stroke	80 cm ³ ; 52 × 38 mm
Compression ratio	8.0:1
Valve clearance (cold)	0.05 – 0.10 mm
PTO shaft rotation	counterclockwise
Ignition system	transistor ignition
Ignition angle	22° ± 2°
Spark plug type	F7RTC
Spark plug electrode spacing	0.6 - 0.8 mm
Lubrication system	splash lubrication
Cooling system	Forced air cooling
Air filter size	308 × 298 × 303 mm
Required engine oil quantity	0.35 l
Capacity petrol tank	0.6 l
Net weight	7.2 kg
EU type approval no.	e24*2016/1628*2018/989SHB2/P*0418*00
CO ₂ emission	977.0 g/kWh
[Article 43(4) of Regulation (EU) 2016/1628]	

DAYE

in sketch	part number	other number of same part	part description	weight/ g	Qty
1	A26800608301	26800608301	Hexagonal flange bolt		7
2	2033200024A		- Speed regulation fixing plate		1
3	A26800604101	26800604101	Hexagonal flange bolt - enlarged series		8
4	2031800015A	26801110701	Speed control spring		1
5	2031300063N	26300220401	Speed control rocker arm		1
6	3032302002		- Hexagonal flange nut M6		1
7	2031300012A	26800301101	Speed control screw		1
8	2031600029N	25100135802	oil seal		1
9	2031200007A	26900103401	Elastic split pin		1
10	2032300080B	26900109501	Speed control lever		1
11	2032300088A		- Speed control gear assembly		1
12	2033200018B	26300223101	Pressing plate		1
13	2032300112A		- Nylon camshaft		1
14	2031300083B	26900109201	Tappet column		2
15	20311000090031A		- Oil dipstick (DYM1P52FX-01)		1
16	2039600019N	25100137602	O-ring		1
17	2031300107A		- Positioning pin		2
18	2031400092A		- Cylinder block cover		1
19	2031600067A		- oil seal		1
20	2032200014A		- Crankshaft gasket		1
21	2032300108A		- Crankshaft assembly		1
22	20361000080001A		- Thickening pump retaining ring (1P56FA-19)		1
23	2036600002A		- Concentrated foam		1
24	2036800001A		- Enrichment pump spring (M1809010)		1
25	A26800612401	26800612401	Ventilation bolt		1
26	20361000070001A		- Thickening pump body (1P56FA-18)		1
27	2030X00420	2040X00070	Enrichment pump assembly		1
28	20361000390001A		- Upper cover of air filter (DYM1P52FX-02)		1
29	2036900035A		- Foam filter element		1
30	3032302004		- Hexagonal flange nut M6		7
31	2031300008B	26809003101	Cushion Cover		2
32	2036600004A		- Ventilation pipe		1
33	20361000420001A		- Air filter base (DYM1P52FX-03)		1
34	2036600013B		- Sealing gasket for carburetor and air filter		1
35	2033900005A		- Carburetor assembly		1
36	2036600012B		- Carburetor and intake pipe sealing gasket		1
37	2036100027A		- Intake pipe		1

DAYE

in sketch	part number	other number of same part	part description	weight/ g	Qty
38	2031600066A		- Sealing gasket for cylinder head and intake pipe		1
39	A26800610103	26800610103	Carburetor screw		4
40	2031400091A		- Cylinder block		1
41	2032400002B	26801102901	Throttle spring		1
42	2033300025A		- Throttle push rod		1
43	2035200035A	26900108001	Oil pipe clamp B		1
44	2035600005A		- Oil inlet pipe		1
45	2035200034A	26900107901	Oil pipe clamp A		1
46	2035100016A	2035100003A	Fuel filter		1
47	2035100008A		- Fuel tank body		1
48	2035600016A		- Sealing gasket for fuel tank cover		1
49	20351000733201A	25234100102	Fuel tank cover (DYM1P56FA-12-2)		1
50	A26800707001	26800707001	Flat washer		2
51	2039300006A		- Double headed screw		5
52	2037300011D	26300206101	Exhaust valve		1
53	2036300014D	26300206001	Intake valve		1
54	2033300012A	26300211601	Wind guide cover inlay		3
55	2031300111		- Starter housing assembly		1
55-1	20331000010001B	25234300101	Handle (DYM1P56FA-06-2)		1
55-2	2032800001A	29001001101	Pulling rope		1
55-3	20331000240001A		- Starter housing (DYM1P52FX-04)		1
55-4	2033300011N	26300209903	Starting cover retaining ring		1
55-5	20331000260001A		- Windshield (DYM1P52FX-05)		1
55-6	2033800005A		- Return spring		1
55-7	20331000490001A		- Starting wheel (DYM1P52FX-08)		1
55-8	2033100048A		- Pulling claw (DG600Li-10)		2
55-9	20331000460001A		- Cover plate (DG600Li-08)		1
55-10	2033200033A		- Starter retaining ring (under confirmation)		1
55-11	3051302001		- Large washer 5		1
55-12	A26800300902	26800300902	Left hand self tapping screw		1
56	20331000270001A		- Outer cover (DYM1P52FX-06)		1
57	20341000420002A		- Decorative cover (DYM1P52FX-07)		1
58	3032303001	A26800610501	Hexagonal flange nut M12 * 1.25		1
59	2032200011A		- Fan Platen		1
60	20321000230001A		- Fan (DYM1P52FX-09)		1
61	2038400015E	23061001101	Cast iron flywheel assembly		1
62	2031200036A		- Respirator cover plate		1

DAYE

in sketch	part number	other number of same part	part description	weight/ g	Qty
63	3021302013		- Eleven slot large pan head screw M4 * 10		1
64	2039300050A		- Respirator valve plate		1
65	2031600031N	25100135902	oil seal		1
66	2033200025A		- Brake base plate assembly		1
67	2033200026A		- Brake arm assembly		1
68	2033800002A		- Brake spring		1
69	2039200008A		- Large washer		1
70	2039300059A		- Step bolt		1
71	A26800612201	26800612201	Hexagonal flange bolt		2
72	2038900018B		- Igniter assembly		1
73	2038900015B	23062001301	spark plug		1
74	2037900006A		- Silencer sealing gasket		1
75	2037500019N	23060001001	Silencer assembly		1
76	2037200015A	23060001101	Muffler cover assembly		1
77	3032306001	A26800502401	Full metal hexagonal flange locking nut M6		2
78	2036200010A	26300207401	Oil shield		2
79	2036800002A		- Valve spring		2
80	2036300001B		- Valve spring seat		2
81	2036300016A		- Push rod assembly		2
82	2033200027A		- Push rod guide plate		1
83	2031300002C	26800605401	Adjusting bolts		2
84	2036300015C	26300206201	Valve rocker arm		2
85	A26800503901	26800503901	Adjusting the nut		2
86	A26800504001	26800504001	Tighten the nut		2
87	2031200034A		- Cylinder head cover		1
88	2032400036A		- Piston ring combination		1
89	2032400033A		- piston		1
90	2032300099A		- Piston pin		1
91	2033800023A	26900109001	Piston pin circlip		2
92	2032400029F	23054001503	Connecting rod assembly		1
93	2036900037A		- Filter cotton		1